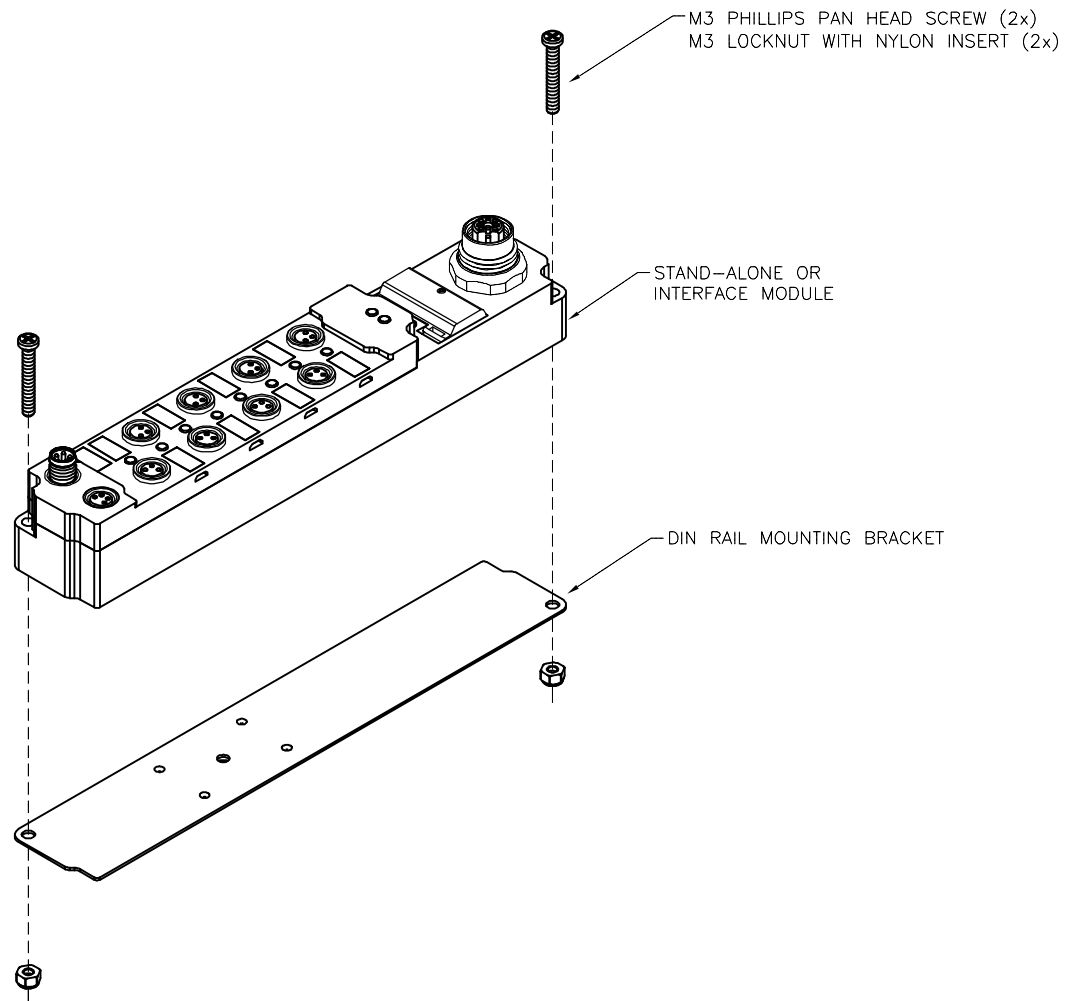
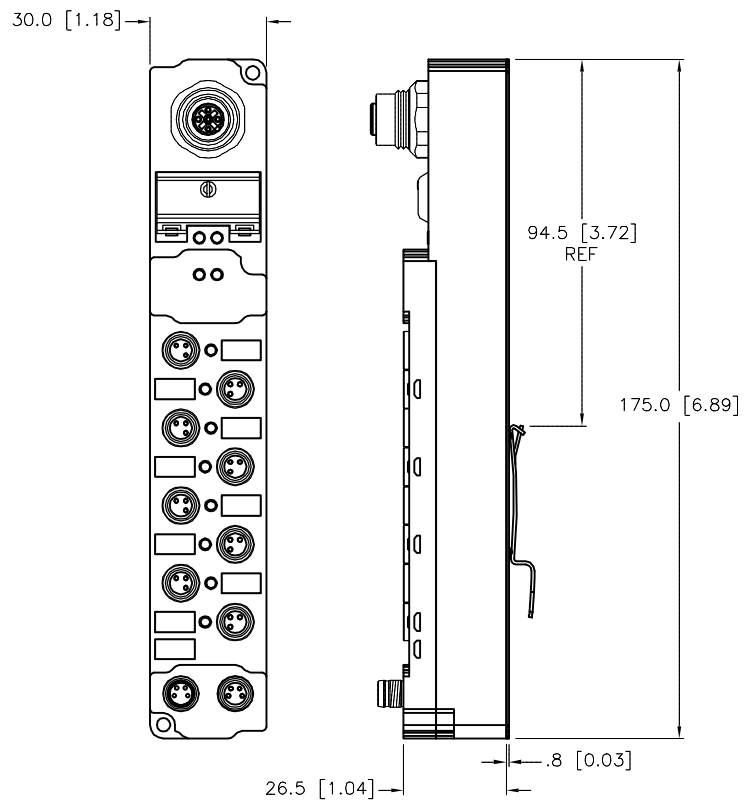


PICONET STAND-ALONE AND INTERFACE MODULE MOUNTING ARRANGEMENT
ON DIN RAIL MOUNTING BRACKET



SOURCE DRAWING - FOR REFERENCE ONLY

RELATED DOCUMENTS		3RD ANGLE PROJECTION		THIS DRAWING IS CONFIDENTIAL AND THE PROPERTY OF TURCK INC. USE OF THIS DOCUMENT WITHOUT WRITTEN PERMISSION IS PROHIBITED.		3000 CAMPUS DRIVE MINNEAPOLIS, MN 55441 1-800-544-7769 (763) 553-7300 (763) 553-0708 fax www.turck.us	
1.				DRFT IK		DATE 08/15/00	
2.				DSGN GC		SCALE 1=2.0	
3.		ALL DIMENSIONS DISPLAYED ON THIS DRAWING ARE FOR REFERENCE ONLY		UNIT OF MEASUREMENT		DESCRIPTION	
4.				MILLIMETER [INCH]		S-BKT1	
MATERIAL		CONTACT TURCK FOR MORE INFORMATION		IDENTIFICATION NO.		REV	
FINISH				Z0021		B	
DO NOT SCALE THIS DRAWING		FILE: Z0021		SHEET 1 OF 1			

B	CONVERT DRAWING TO TURCK FORMAT	CBM	08/30/04	11884
REV	DESCRIPTION	BY	DATE	ECO NO.